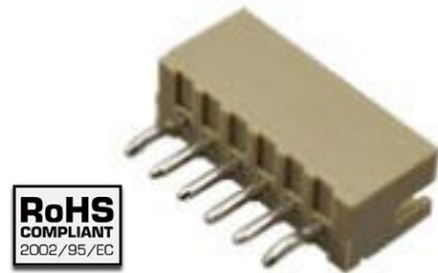


Terminal Block, Header

SWTB-C1250VD-Poles

Description

The SWTB-C1501VD-XX is a DIP style connector with 1.5mm pitch and is available up to 13 poles.



Features

Mechanical Properties

	Description
Insulator	PA46, UL94V-0
Contact	Brass, Tin plated over Nickel.
Operating Temperature	-40°C~+105°C
Pitch	1.5 mm
Orientation	Vertical
Dimensions	See table

Electrical Properties

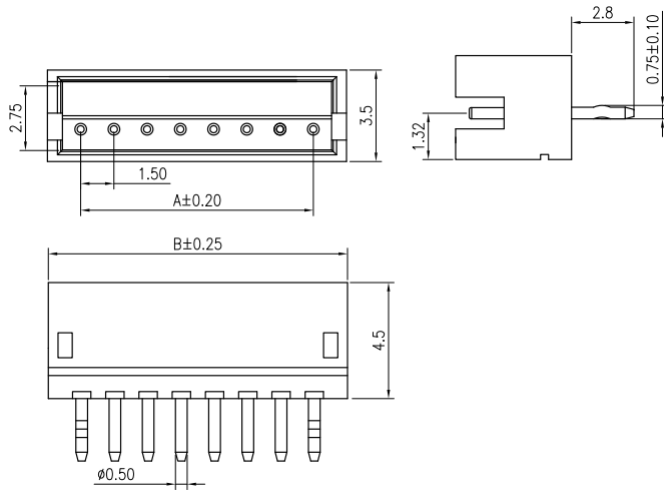
	Description
Current Rating:	1A AC/DC
Voltage Rating:	100V AC/DC
Contact Resistance:	20 mΩ max.
Insulation Resistance:	500 MΩ min.
Dielectric Withstanding:	500V AC / 1 min
Voltage Rating:	100V AC/DC

Terminal Block, Header

SWTB-C1250VD-Poles

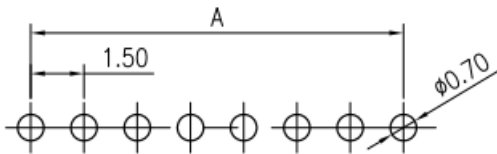
Dimensions

*unit: mm, N= number of poles



PCB Footprint

*unit: mm , N = number of poles



Number of Poles:	Dimensions	
	A	B
02	1,50	4,50
03	3,00	6,00
04	4,50	7,50
05	6,00	9,00
06	7,50	10,50
07	9,00	12,00
08	10,50	13,50
09	12,00	15,00
10	13,50	16,50
11	15,00	18,00
12	16,50	19,50
13	18,00	21,00

Terminal Block, Header

SWTB-C1250VD-Poles

Part number

SWTB-C1250VD-XX

SWTB-C1250VD	Style of connector
XX	Poles
	2,3,4,5,6,7,8, 9,10, 11,12, 13

Ordering information

Ordering can be done via www.summit-electronics.com or via info@summit-electronics.com. Please contact us for more information. Customisation of the product is available on request.

Technical support

For all product questions please contact us via info@summit-electronics.com

Document revision

Rev	Date	changes
V01.00	26-06-2023	First issue of document, EK